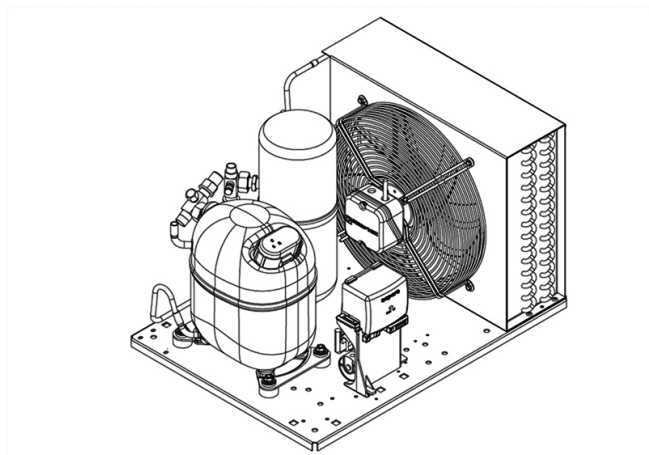


UNJ9238GK



**ENGINEERING CODE**  
643RV5304AA



**REFRIGERANT**  
R-404A



**POWER SUPPLY**  
230 V 50 Hz



**APPLICATION**  
HBP



**MOTOR TYPE**  
CSR



**STANDARD**  
EN13215\_RG20



**COOLING CAPACITY**  
2609 W



**EFFICIENCY**  
1.6 W/W

CE

ECODESIGN  
COMPLIANT

DATA

GENERAL DATA

**Model** UNJ9238GK

CONDENSING COMPONENTS

<b>Compressor</b>	NJ9238GK	M/HBP
<b>Condenser</b>	4R14T	2451199
<b>Refrigerant</b>	R-404A	
<b>Expansion Device</b>	C-V	
<b>Fankit</b>	S4E300-XX	1996589

MECHANICAL DATA

<b>Air Flow</b>	1300 m <sup>3</sup> /h
<b>Height</b>	372 mm
<b>Shaft Power</b>	95
<b>Weight</b>	46 Kg
<b>Width</b>	440 mm
<b>Length</b>	600 mm

## PERFORMANCE

### TESTED CONDITIONS

Tested Refrigerant	R-404A
Tested Application	HBP
Tested Standard	EN13215_RG20

### RATED POINTS

Ambient Temperature °C	Evaporating Temperature °C	Cooling Capacity W	Efficiency W/W	Consumo de Potencia W
32	-10	2609	1.6	1629

Test Condition: Subcooling 3 K, Return Gas 20 °C.

### PERFORMANCE CURVE

Ambient Temperature 25°C

Evaporating Temperature °C	Cooling Capacity W	Efficiency W/W	Consumo de Potencia W
-20	1943	1.52	1277
-15	2420	1.71	1416
-5	3334	1.90	1754
0	3769	1.93	1954
5	4185	1.92	2177
10	4581	1.89	2422

Test Condition: Subcooling 3 K, Return Gas 20 °C.

### PERFORMANCE CURVE

Ambient Temperature 32°C

Evaporating Temperature °C	Cooling Capacity W	Efficiency W/W	Consumo de Potencia W
-20	1779	1.36	1311
-15	2196	1.50	1461
-5	3015	1.66	1815
0	3413	1.69	2020
5	3801	1.69	2246
10	4178	1.68	2492

Test Condition: Subcooling 3 K, Return Gas 20 °C.

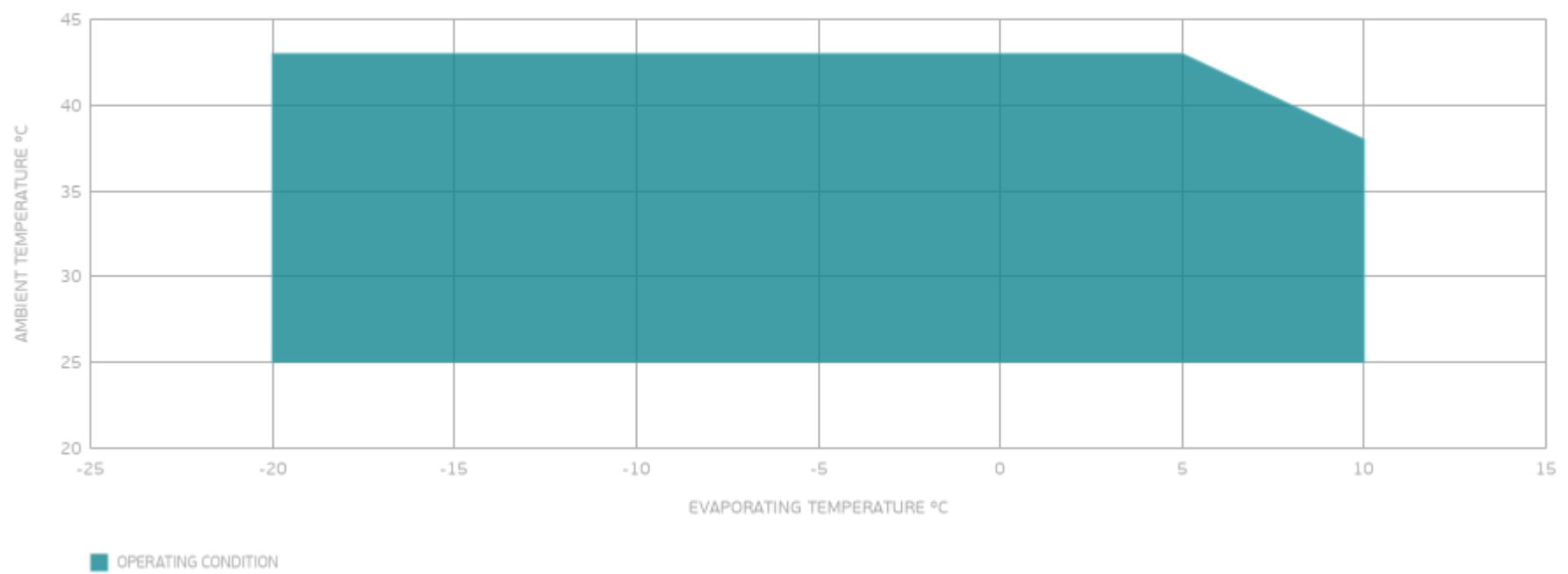
## PERFORMANCE CURVE

Ambient Temperature 43°C

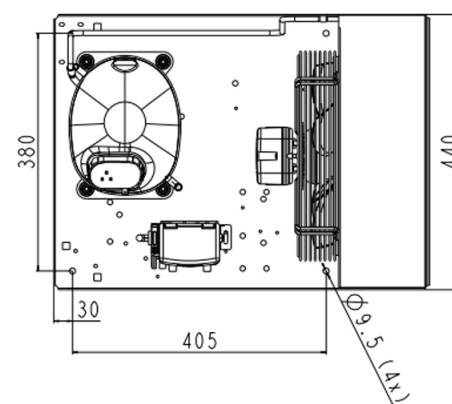
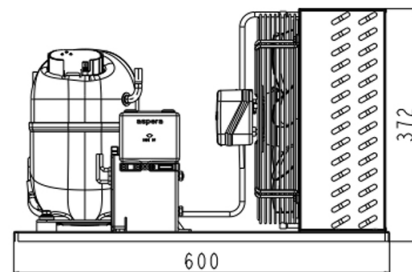
Evaporating Temperature °C	Cooling Capacity W	Efficiency W/W	Consumo de Potencia W
-20	1462	1.09	1343
-15	1857	1.24	1501
-5	2668	1.43	1861
0	3081	1.49	2065
5	3497	1.53	2285

Test Condition: Subcooling 3 K, Return Gas 20 °C.

## ENVELOPE



## EXTERNAL DIMENSIONS



WIRING DIAGRAM

