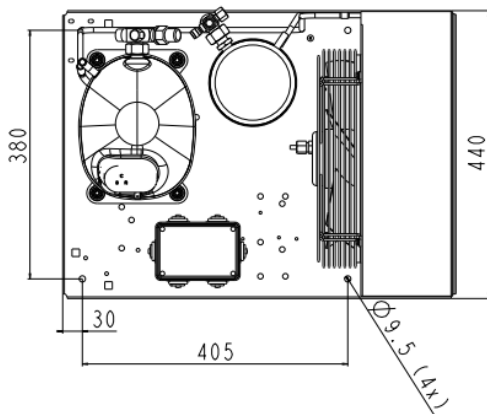
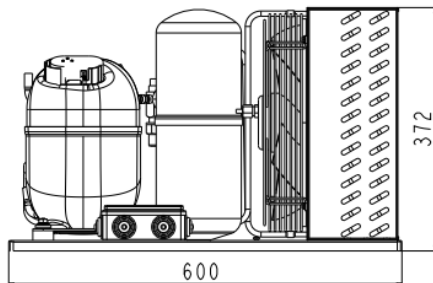


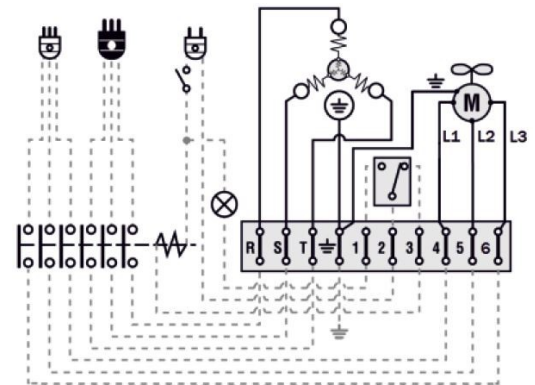
GENERAL DATA

Application:	M/HBP
Refrigerant:	R404A
Expansion Device:	C-V
Weight:	42 kg
Receiver:	0 liter
Voltage/Frequency:	380 - 420 V 50 ~
Height:	42 mm
Length:	600 mm
Width:	440 mm
Institute Approvals:	CE

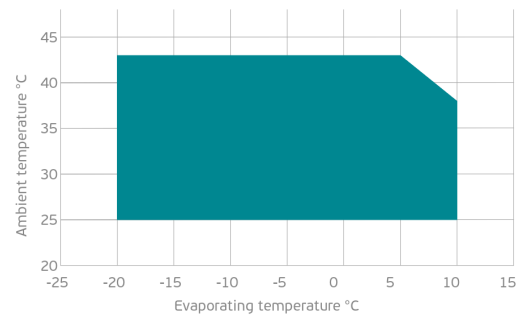
EXTERNAL DIMENSIONS



WIRING DIAGRAM



OPERATING ENVELOPE



COMPONENTS (SPARE PARTS)

valve_suca:	SOLDER 5/8"	2110054
condenser:	4R14T	2451199
compressor:	NJ9238GS	947RM19..AC

valve_suca:	SOLDER 5/8"	2110054
condenser:	4R14T	2451199
compressor:	NJ9238GS	947RM19..AC

For additional accessories please contact our technical support

ELECTRICAL DATA

Motor Type: 3PH -
Locked Rotor Amperage (LRA): 22 A
Max.Current: 4.49 A

At maximum evaporating temperature and maximum ambient temperature.

FAN MOTOR

Number: 1 -
Shaft Power: 60 W
Air Flow: 1300 m³/h
Blade Diameter: - mm

PERFORMANCE CURVE DATA

Standard: EN13215-RG20 / return gas 20°C, subcooling 3K

50 Hz

	Evaporating Temperature (°C)	Cooling Capacity (W)	Power Consumption (W)	Current Consumption (A)	Efficiency (W/W)
25 °C Ambient Temperature	10°C	4 382	2 420	4.53	1.81
	5°C	4 014	2 170	4.15	1.85
	0°C	3 617	1 941	3.82	1.86
	-5°C	3 202	1 732	3.54	1.85
	Rated point -10°C	2 781	1 542	3.29	1.80
	-15°C	2 366	1 372	3.09	1.72
	-20°C	1 968	1 220	2.92	1.61
32 °C Ambient Temperature	10°C	4 192	2 464	4.57	1.70
	5°C	3 806	2 217	4.20	1.72
	0°C	3 402	1 989	3.88	1.71
	-5°C	2 990	1 779	3.59	1.68
	Rated point -10°C	2 583	1 588	3.35	1.63
	-15°C	2 193	1 414	3.15	1.55
	-20°C	1 830	1 258	2.98	1.45
43 °C Ambient Temperature	5°C	3 173	2 316	4.36	1.37
	0°C	2 788	2 079	4.01	1.34
	-5°C	2 413	1 859	3.70	1.30
	Rated point -10°C	2 059	1 656	3.43	1.24
	-15°C	1 738	1 468	3.19	1.18
	-20°C	1 462	1 295	2.99	1.13