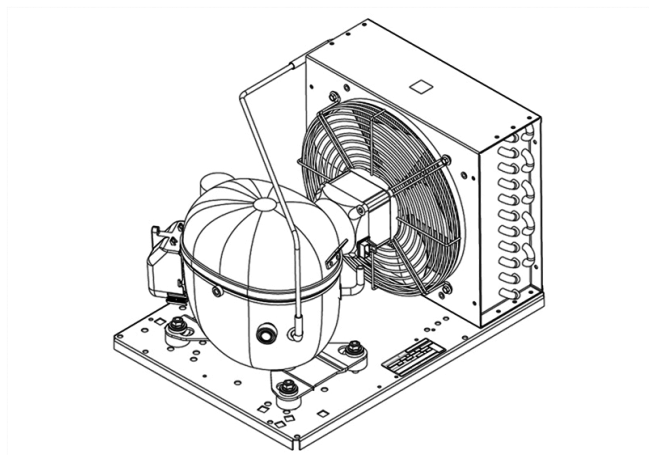


UNT6215Z



**ENGINEERING CODE**  
602AN5312AA



**REFRIGERANT**  
R-134a



**POWER SUPPLY**  
200-240 V 50 Hz  
/ 230 V 60 Hz



**APPLICATION**  
HBP



**MOTOR TYPE**  
CSIR



**STANDARD**  
EN13215\_RG20

CE

ECODESIGN  
COMPLIANT



**COOLING CAPACITY**  
839 W



**EFFICIENCY**  
1.63 W/W

DATA

GENERAL DATA

Model UNT6215Z

CONDENSING COMPONENTS

Compressor	NT6215Z	M/HBP
Condenser	3R11T	2451206
Refrigerant	R-134a	
Expansion Device	C-V	
Fan Blade Diameter	254	
Fankit	25W 254/28/5B	1996587

MECHANICAL DATA

Air Flow	740 m <sup>3</sup> /h
Height	296 mm
Shaft Power	25
Weight	25 Kg
Width	340 mm
Length	465 mm

## PERFORMANCE

### TESTED CONDITIONS

Tested Refrigerant	R-134a
Tested Application	HBP
Tested Standard	EN13215_RG20

### RATED POINTS

Ambient Temperature °C	Evaporating Temperature °C	Cooling Capacity W	Efficiency W/W	Consumo de Potencia W
32	-10	839	1.63	514

Test Condition: Subcooling 3 K, Return Gas 20 °C.

### PERFORMANCE CURVE

Ambient Temperature 25°C

Evaporating Temperature °C	Cooling Capacity W	Efficiency W/W	Consumo de Potencia W
-15	735	1.65	445
-5	1126	2.03	554
0	1346	2.20	612
5	1583	2.34	676
10	1839	2.46	748

Test Condition: Subcooling 3 K, Return Gas 20 °C.

### PERFORMANCE CURVE

Ambient Temperature 32°C

Evaporating Temperature °C	Cooling Capacity W	Efficiency W/W	Consumo de Potencia W
-15	668	1.45	459
-5	1023	1.80	570
0	1223	1.94	630
5	1439	2.07	697
10	1671	2.16	772

Test Condition: Subcooling 3 K, Return Gas 20 °C.

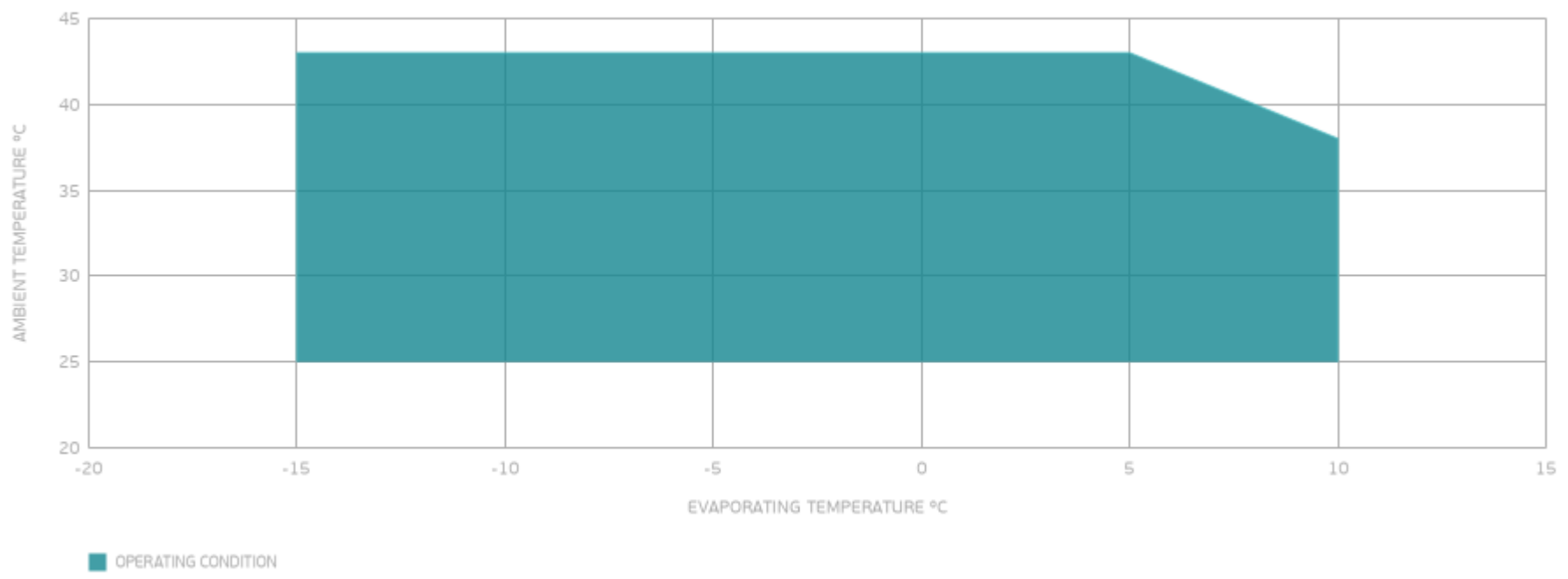
### PERFORMANCE CURVE

Ambient Temperature 43°C

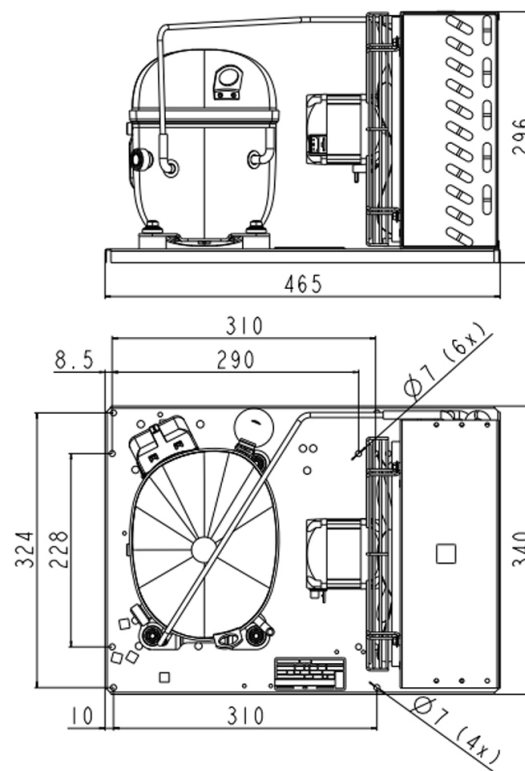
Evaporating Temperature °C	Cooling Capacity W	Efficiency W/W	Consumo de Potencia W
-15	537	1.15	468
-5	858	1.44	595
0	1037	1.56	666
5	1230	1.65	744

Test Condition: Subcooling 3 K, Return Gas 20 °C.

## ENVELOPE



## EXTERNAL DIMENSIONS



## WIRING DIAGRAM

