

Tools

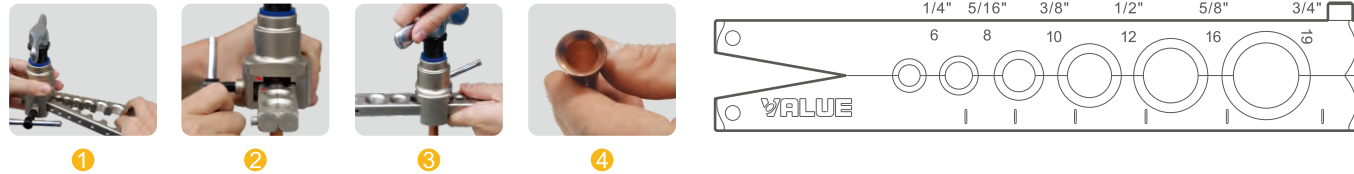


Pipe Tools /
HVAC Instrument

Easy



Usage method of quick-clamp



Accurate Flaring

Annular Rivet Connection

- Precise of flared

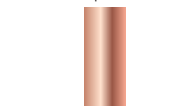
45° Eccentric design

- Point contact flare, standard dimension, easy to use

Model	Tubing O.D.	Accessory	Packaging
VFT-808-IN	1/4", 5/16", 3/8", 1/2", 5/8", 3/4"	/	Blister packing
VFT-808-I	1/4", 5/16", 3/8", 1/2", 5/8", 3/4"	/	Blow case
VFT-808-I-02	1/4", 5/16", 3/8", 1/2", 5/8", 3/4"	/	Carton
VFT-808-MI	6, 8, 10, 12, 16, 19mm 1/4", 5/16", 3/8", 1/2", 5/8", 3/4"	/	Blow case
VFT-808-MI-02	6, 8, 10, 12, 15, 16, 18mm 1/4", 5/16", 3/8", 1/2", 5/8", 3/4"	/	Blow case
VFT-808-IS	1/4", 5/16", 3/8", 1/2", 5/8", 3/4"	VTC-28B	Blow case
VFT-808-MIS	6, 8, 10, 12, 16, 19mm 1/4", 5/16", 3/8", 1/2", 5/8", 3/4"	VTC-28B	Blow case
VFT-808-IE	1/4", 5/16", 3/8", 1/2", 5/8", 3/4"	VST-22	Blow case



Other products



Elongation is not controllable

VFT-808U-I



Axial spacing

Accurate Flaring

Axial Spacing

- Accurate and consistent flaring

Nitride Treatment

- Long service life
- Robust and durable

Annular Rivet Connection

- Precise of flared

45° Eccentric design

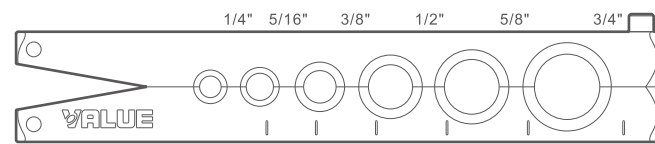
- Point contact flare, dimension standard, easy to use

Model	Tubing O.D.	Accessory	Packaging
VFT-808U-MIS	6, 8, 10, 12, 16, 19mm 1/4", 5/16", 3/8", 1/2", 5/8", 3/4"	VTC-28B	Blow case
VFT-808U-MI	6, 8, 10, 12, 16, 19mm 1/4", 5/16", 3/8", 1/2", 5/8", 3/4"	/	Blow case
VFT-808U-IS	1/4", 5/16", 3/8", 1/2", 5/8", 3/4"	VTC-28B	Blow case
VFT-808U-I	1/4", 5/16", 3/8", 1/2", 5/8", 3/4"	/	Blow case

Flaring Tool

Making Your Job More Enjoyable

Special design for R410A system



Accurate Flaring

Annular Rivet Connection

- Precise of flared

45° Eccentric design

- Point contact flare, dimension standard, easy to use

2 In 1 Flaring Bar

- Suitable for metric-inch, easy to use

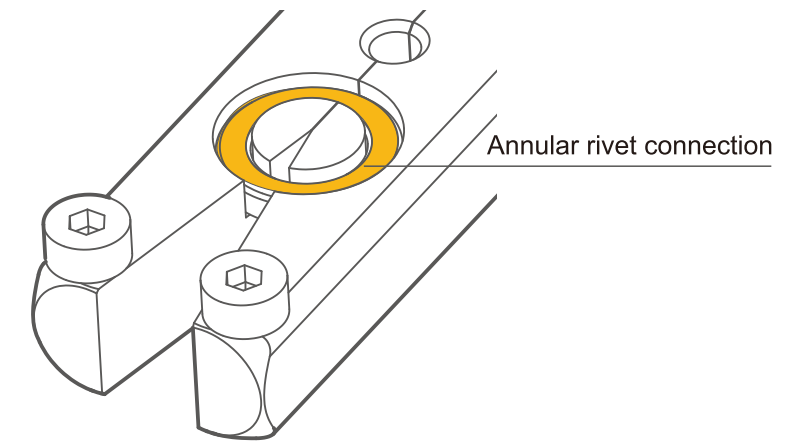
Model	Tubing O.D.	Accessory	Packaging
VFT-809-I	1/4", 5/16", 3/8", 1/2", 5/8", 3/4"	/	Blow case
VFT-809-IS	1/4", 5/16", 3/8", 1/2", 5/8", 3/4"	VTC-28B	Blow case

The Outstanding Advantage of

VALUE's Flaring Tool

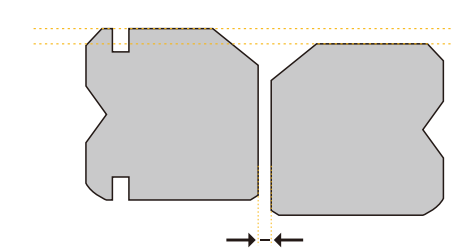
Making Your Job More Enjoyable

Annular rivet connection



The differences between traditional flaring bar and VALUE's annular rivet connection

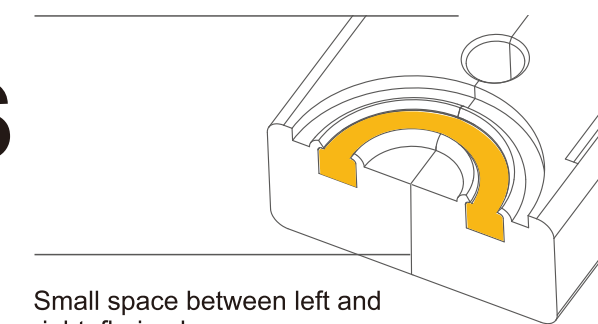
Large space between up and down flaring bar, and uneven surface



Excessive gap between left and right flaring bar (traditional)

VS

Annular rivet connection makes left and right flaring bar clamps, and will never dislocate



Small space between left and right flaring bar (VALUE annular rivet connection)

FAQ of copper pipe	Reason	Solutions	Result of flaring
Uneven bell mouth dimensions falls short, and cannot be normally used	Traditional flaring bar Large space between up and down clamps	Annular rivet connection Annular rivet connection makes left and right flaring bar, and will never dislocate	Even and smooth orifice, accurate dimensions
	Excessive gap of flaring bar	Small space between left and right bar	

The Outstanding Advantage of

Making Your Job More Enjoyable

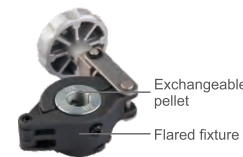
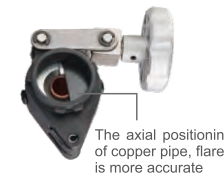
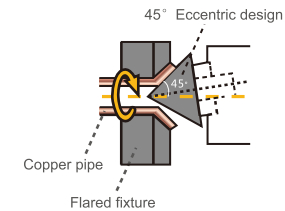
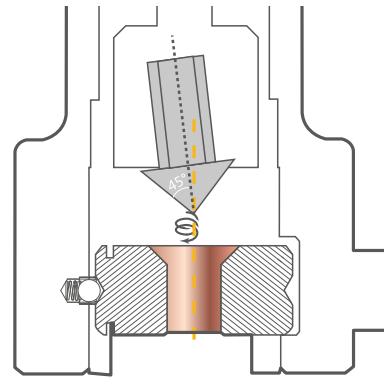
Cordless Power Flaring Tools

Making Your Job More Enjoyable

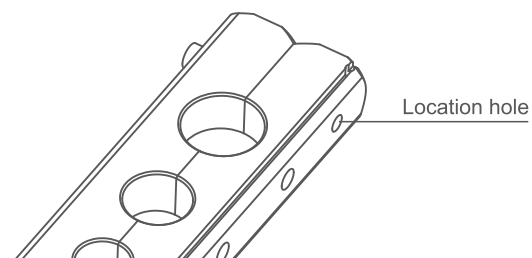
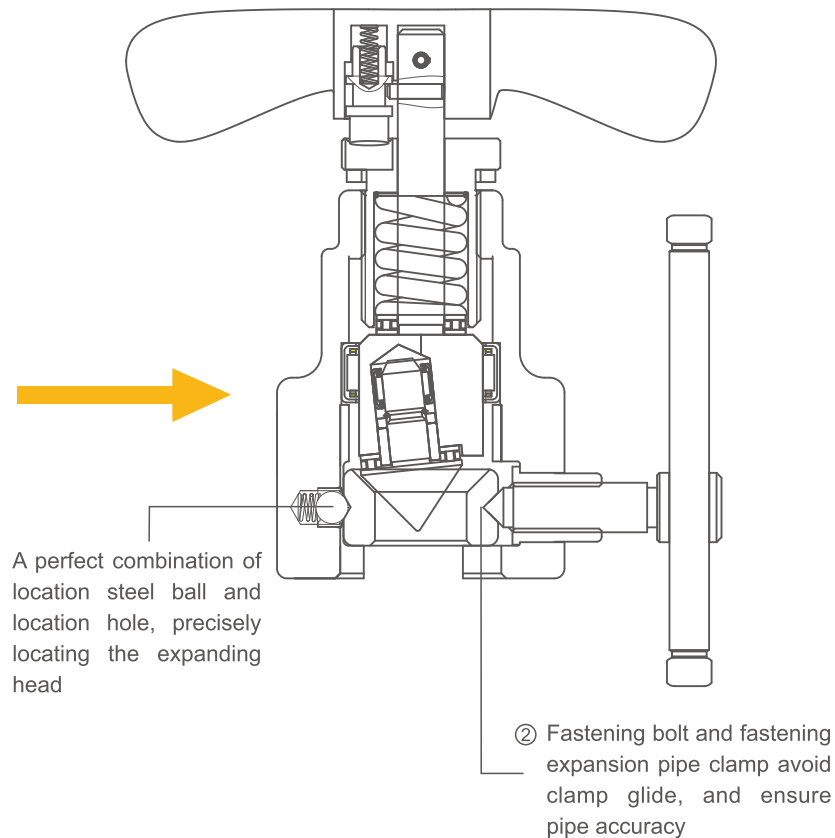
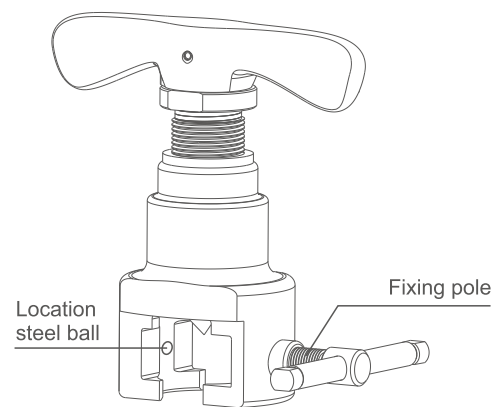
VALUE's Flaring Tool

45° Eccentricity

45° eccentricity, point contact reaming, standard dimensions, more convenient to use



Precise Placing



Pipe Tools

Quick Accurate Flaring

Easy to Use

- High performance, large capacity lithium battery
- Variable speed
- Rechargeable
- No power supply needed

Speed and Accuracy

- Designed for harsh environments
- Quick and accurate
- High quality flares

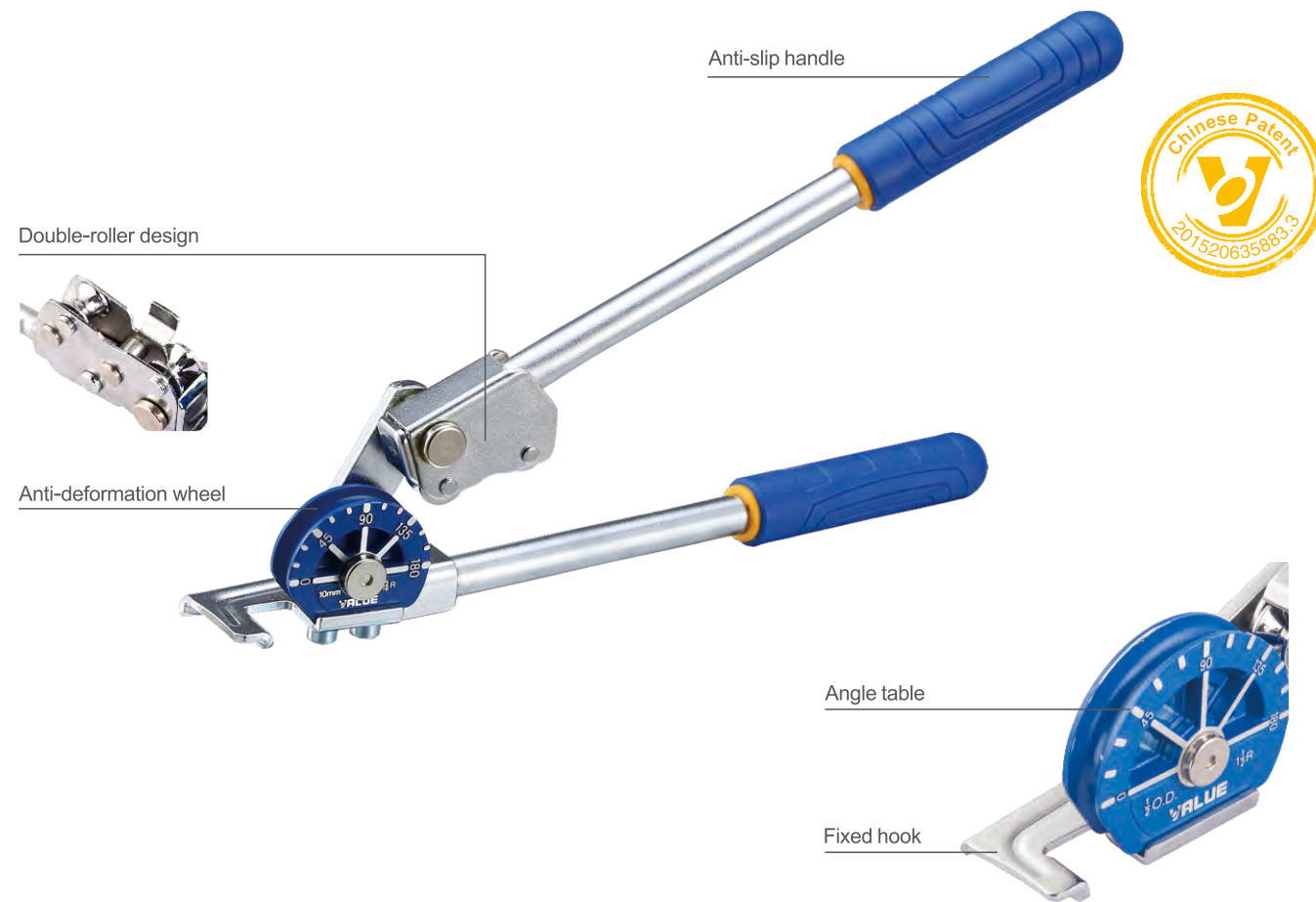
Convenient for Narrow Space



Model	VET-19-S
Power	DC motor
Applicable Pipe	Copper pipe
Tubing O.D.	1/4", 5/16", 3/8", 1/2", 5/8", 3/4"
Flaring Shape	Flared
Accessory	VTC-28B, VTT-5

Bending Tool

Making Your Job More Enjoyable



Easy to Bend

Double-roller

- Unique X-TURN steering structure
It's easier to bend on 90°
- Double-roller, reducing the pipe's friction, easy to bend

Angle Table

- The angle of bending is clearly visible

Anti-slip Handle

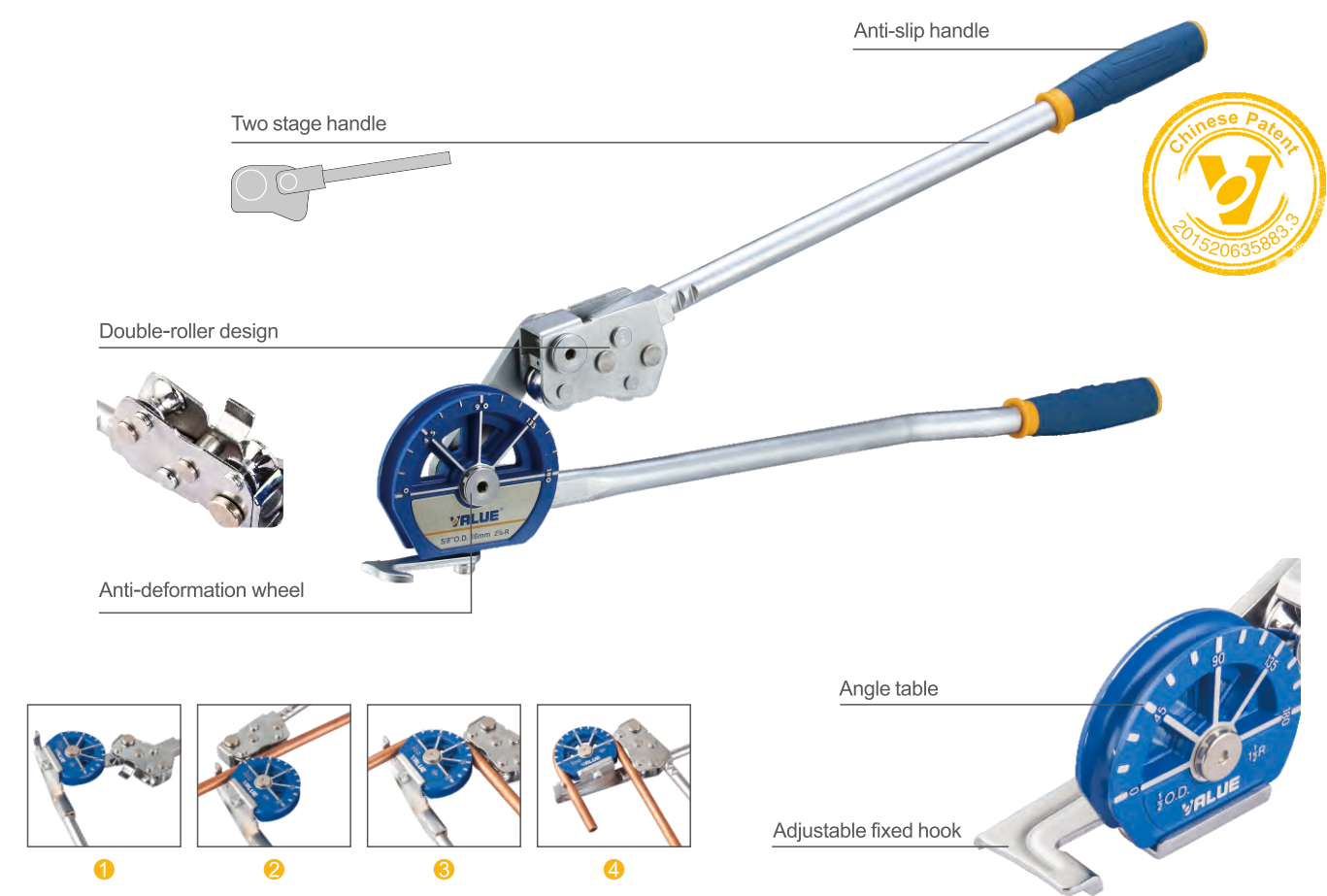
- Easy to use

VBT-1/2 Bending Tool

Model	VBT-1	VBT-1A	VBT-2	VBT-2A
Bending Size	3/8"	10mm	1/2"	12mm
Bending Radius	15/16"	15/16"	1-1/2"	1-1/2"
Bending Angle	0~180°			
Applicable Material	All soft pipes, thin-wall copper pipes and annealed treated hard pipe			

Bending Tool

Making Your Job More Enjoyable



Easy to Bend

Double-roller

- Unique X-TURN steering structure
It's easier to bend on 90°
- Double-roller, reducing the pipe's friction, easy to bend

Two Stage Handle

- Easy to bend, larger angle of bending

Angle Table

- The angle of bending is clearly visible

Anti-slip handle

- Easy to use

VBT-3/4/5 Bending Tool


Model	VBT-3	VBT-4	VBT-5
Bending Size	5/8", 16mm	3/4", 19mm	7/8", 22mm
Bending Radius	2-1/4"	3"	3-1/4"
Bending Angle	0~180°		
Applicable Material	All soft pipes, thin-wall copper pipes and annealed treated hard pipe		

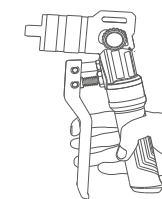
Hydraulic Tube Expander

Making Your Job More Enjoyable



Hydraulic Expander 

 Easy One-hand Operation



Easy To Expand

Hydraulic Expander

- One hand operation
- Suitable for larger diameter copper

Compact

- Convenient for narrow spaces
- Easy to use

Model	Tube O.D.	Accessory
VHE-29A	3/8", 1/2", 5/8", 3/4", 7/8", 1", 1-1/8"	/
VHE-29AM	10, 12, 15, 16, 18, 22, 28mm	/
VHE-29B	3/8", 1/2", 5/8", 3/4", 7/8", 1", 1-1/8"	VTT-5 VTC-32
VHE-29BM	10, 12, 15, 16, 18, 22, 28mm	VTT-5 VTC-32
VHE-42B	3/8", 1/2", 5/8", 3/4", 7/8", 1", 1-1/8", 1-1/4", 1-3/8", 1-1/2", 1-5/8"	VTT-5 VTC-42
VHE-42BM	10, 12, 15, 16, 18, 22, 28, 35, 42mm	VTT-5 VTC-42



Easy to Deburr

Compact Design

- Easy to carry

Spare Blade

- 2 spare blades are included

Replaceable Blades

- Easy to change blade



Easy to Shear

Sharp Blade

- Excellent stainless steel blade, easy to shear capillary

Spacing Spring

- Easy to use

Anti-slip Handle

- Power holding, anti-slip, easy to shear

Sealing Pliers

Making Your Job More Enjoyable



φ3~10mm (1/8"-3/8")

Easy to Seal

Inactivate Jaw

- Power clamp force, it can seal copper pipe quickly

Force Adjusting Nut

- Easy to adjust clamp force

Ergonomic Design Handle

- Anti-slip design, easy to use

Ratchet Spanner

Making Your Job More Enjoyable



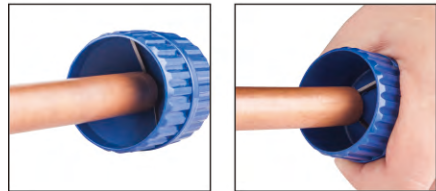
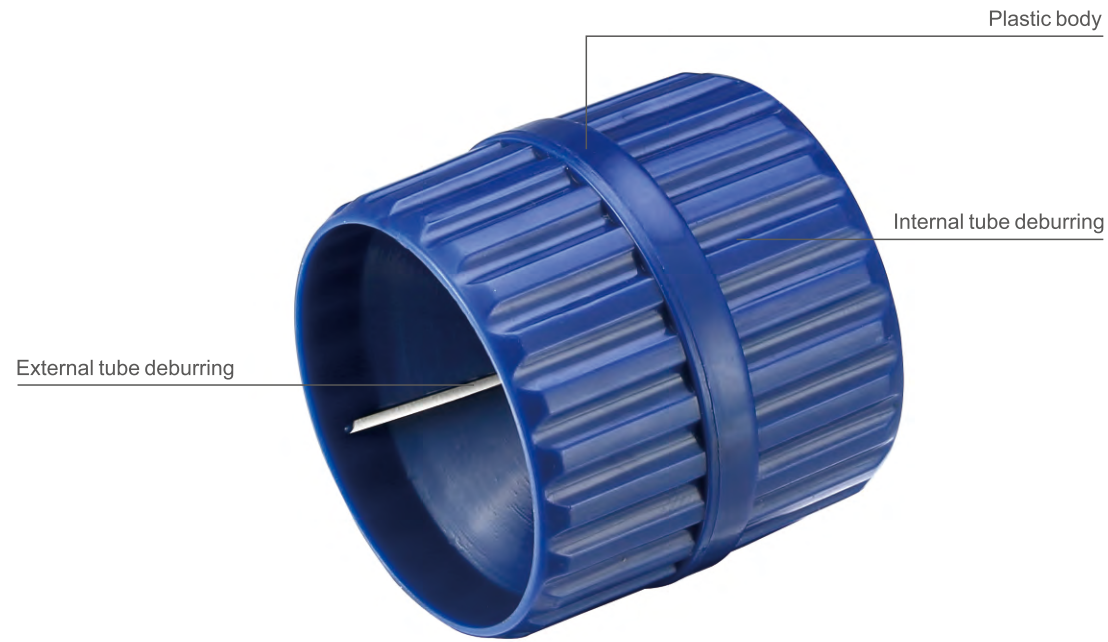
Easy to Rotary

Ratchet

- Advanced ratchet, leave out the tedious transformation steps, easy to use, and easy to rotary

Anti-slip Handle

- Power holding, anti-slip, easy to rotary



External tube deburring Internal tube deburring

Easy to Deburr

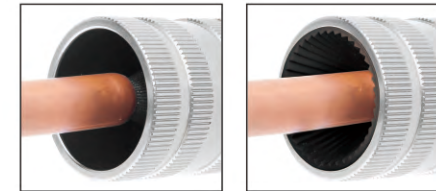
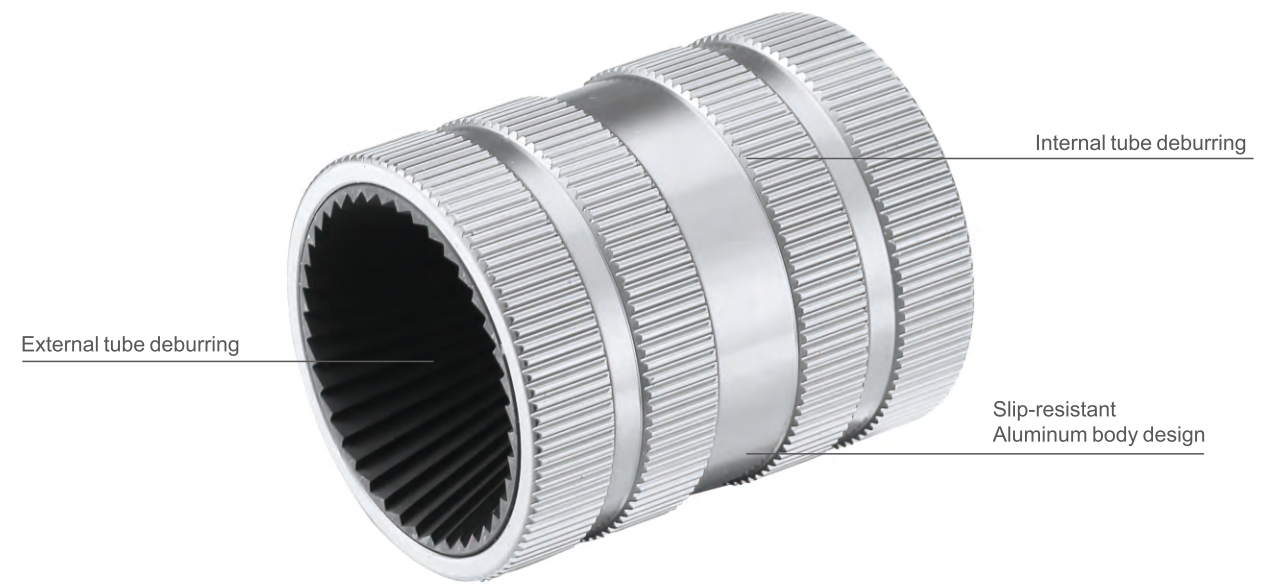
Multi-blade Alloy Steel Internal Surface

- Easy to deburring

Slip-resistant Aluminum Body Design

- Light weight

Model	VRT-301
Tube O.D.	4-40mm (1/8"-1-5/8")



External tube deburring Internal tube deburring



Easy to Deburr

Multi-blade Alloy Steel Internal Surface

- Easy to deburring

Slip-resistant Aluminum Body Design

- Light weight

Model	VRT-302
Tube O.D.	4-40mm (1/8"-1-5/8")



Easy to Carry

Easy to Carry

- Aluminum alloy toolbox, easy to carry

Protect Tools

- Aluminum alloy toolbox, better protection tools during transportation

Complete With	Description	Quantity
Vacuum Pump	1.5CFM	1pc
Flaring Tool	VFT-808-I	1set
Tube Cutter	VTC-28B	1pc
Tube Deburring	VTT-5	1pc
Manifold Gauge	VMG-2-R410A	1set
Tube Expanders	VST-22	1pc
Package	Aluminum alloy box	1pc



Easy to Carry

Easy to Carry

- Blow molding toolbox, easy to carry

Easy to Use

- Include cutter, tube expander, manifold, refrigerant hose

Model	VTB-5B-I		VTB-5B-II		VTB-5B-III	
	Description	Quantity	Description	Quantity	Description	Quantity
Flaring Tool	VFT-808-I	1set	VFT-808-I	1set	VFT-808-I	1set
Tube Cutter	VTC-28B	1pc	VTC-28B	1pc	VTC-28B	1pc
	VTC-19	1pc	VTC-19	1pc	VTC-19	1pc
Manifold Gauge	VMG-2-R410A	1set	VMG-2-R410A	1set	VMG-2-R410A	1set
Tube Deburring	VTT-5	1pc	VTT-5	1pc	VTT-5	1pc
Adapter	/	/	V01 V08	1set	V01 V08	1set
Adapter	/	/	/	/	CV01-CV12	1set
Package	Blow case	1pc	blow box	1pc	blow box	1pc



Easy to Carry

Easy to Carry

- All the tools are combined in a backpack, which is easier to carry

Protect Tools

- Avoid damage during transportation

Easy to Use

- It contains most of the tools for air conditioning maintenance, and it is easier to use with the tools

Complete With	Description	Quantity
Flaring Tool	VFT-808-MI	1set
Tube Cutter	VTC-32	1pc
Manifold Gauge	VMG-2-R410A-B	1set
Digital Clamp Multimeters	VCM-202	1pc
Tube Expanders	VST-22	1pc
Tube Deburring	VTT-5	1set
Ratchet Spanner	VRT-201	1pc
Ratchet Spanner	VRT-202	1pc



Easy to Carry

Easy to Carry

- All the tools are combined in a backpack, which is easier to carry

Protect Tools

- Avoid damage during transportation

Easy to Use

- It contains most of the tools for air conditioning maintenance, and it is easier to use with the tools

Complete With	Description	Quantity
Flaring Tool	VFT-808-MI	1set
Tube Cutter	VTC-32	1pc
Manifold Gauge	VMG-2-R410A-B	1set
Tube Expanders	VST-22	1pc
Tube Deburring	VTT-5	1set

Modern Digital Multimeters

Making Your Job More Enjoyable

VALUE VDM-132C digital multimeter is widely applied. With overload protection in 30 ranges, it is safer. The LCD makes reading clearer.

Precise measurement, easy work!



Precise Measurement

Wide Range of Measurement

- Multiple functions, It is suitable for measuring on a variety of occasions

LCD Backlit Display

- Clearly display, easy to read

Compact Design

- Easy to carry, and more convenient

Model	VDM-132C	VDM-151
Working Temperature	0°C~40°C (32°F~104°F)	0°C~40°C (32°F~104°F)
DC Voltage Range	200mV/ 2V/ 20V/ 200V/1000V	200mV/ 2V/ 20V/ 200V/500V
AC Voltage Range	2V/ 20V/ 200V/ 750V	200V/500V
DC Current Range	2mA/ 20mA/ 200mA/ 20A	2mA/ 20mA/ 200mA/ 20A
AC Current Range	20mA/ 200mA/ 20A	无
Resistance Range	200Ω/ 2KΩ/ 20KΩ/200KΩ/ 2MΩ/ 20MΩ	200Ω/ 2KΩ/ 20KΩ/200KΩ/ 2MΩ/ 20MΩ
Capacitance Range	/	20nF/ 200nF/ 2μF/100μF
Temperature Range	-40 °C ~1000°C	-40 °C ~1000°C (-40°F~1832°F)

Digital Clamp Multimeters

Making Your Job More Enjoyable

Clamp VMC-1, design of high precise smart chip, It can accurately measure the change of small current; 28mm jaw, it's specially designed for you to repair an unexpected wire and circuit detection; compact design, better experience, it's easy to use.



Precise Measurement

High precision chip

- Precise measurement

LCD backlit display

- Large screen data display, better readability

28mm jaw

- Suitable for more demanding circuit maintenance

Compact design

- Easy to carry

Model	VMC-1
Max Measurement Voltage	600V
Max Measurement AC Current	400A
Max Measurement Capacitance	4mF
Temperature Measurement Range	-40°C ~ 1000°C

Infrared Thermometer

Making Your Job More Enjoyable

VALUE VIT-300S non-contact infrared thermometer can help determine the surface temperature by measuring the infrared energy of the target surface. The design of low power consumption makes the product serve a longer period, reducing the frequency of battery change for users. In addition, the high precision infrared sensor can help users quickly and accurately finish measurement.



Precise measurement

Precision Infrared Sensor

- Accurate measurement, respond faster

Large-aperture Silicon Mirror

- Measures long distance
- Wide measuring range

One-key Temperature Measurement

- Easy to use, convenient

LCD Backlit Display

- Clear display, easy to read

Model	VIT-300S	VIT-300
Emissivity	0.10~1.00 adjustable	0.95
Temperature Range	-32°C~400°C (-25.6°F~752°F)	-18°C ~280°C (0°F~536°F)
Max Measuring Accuracy	±2°C or ±2%	±2°C or ±2%
Response Time	500mS	500mS
Debug Mode	Single-process debugging	Multi-process debugging

Vacuum Gauge

Making Your Job More Enjoyable

It uses the Pirani high-precision vacuum sensor to precisely measure vacuum levels. Digital display affords a comprehensive view of vacuum conditions. When reaching the preset vacuum level, it will buzz as a reminder. When the vacuum level decreases from the pre-set vacuum level, it will buzz rapidly and flash the backlight to warn of leaks.



Precise measurement

Ergonomic Design

- Easy to carry

Precision Vacuum Sensor

- Pirani sensor

Large Backlit Display

- Easy-to-read large digital display
- Backlit display for clarity

Buzzing Alert

- Vacuum level reminder
- Vacuum leakage warning

Model	VMV-1
Maximum overload pressure	72PSi/0.5Mpa
Range	0~10000Pa, 0~100.00mBar, 0~75.000mmHg, 0~75000Microns
Resolution	0.01(< 10Pa), 0.0001(< 10mBar), 0.0001(< 10mmHg), 1(< 30000Microns)
Accuracy	2~100Pa : ±5% of reading(at 20°C)
Operating temperature	0~50°C
Unit	Pa, mBar, mmHg, Microns
sensor	Pirani sensor
Dimensions	147x59x33 mm
Weight	Only 125g

Sound Level Meter

Making Your Job More Enjoyable

Sound Level Meter VMS-1, with micro capacitor-type microphone sensing technology and bandwidth weighting network design, to enable small interference on the sound field, fast response and a precise, efficient noise measurement.



Precise measurement

Ergonomic Design

- Easy to carry

Micro Capacitor-type Microphone Sensing Technology And Bandwidth Weighting Network Design

- Fast response
- Accurate and Efficient

Large Backlit Display

- Easy-to-read large digital display
- Backlit display for clarity

Model	VMS-1
Noise measurement scope	30~130 dB
Accuracy	±1.5 dB
Refresh rate	31.5Hz~8kHz
Resolution	0.1 dB
Sampling rate	Fast : 125ms / Slow : 1000ms
Power	1.5V AAx3
LCD size	32x26 mm
Dimensions	155x57x35 mm
Weight	Only 88g

Anemometer

Making Your Job More Enjoyable

Anemometer VMA-1, with magnetic sensor technology and precision computing amplifier chip, enable to directly convert the airflow rate into electrical signals; through the microprocessor chip to process data, using the electronic digital display to provide you with accurate measurements. It resolved the issues with traditional anemometer such as large volume and initial high airspeed, so as to achieve precision measurement.



Precise measurement

Ergonomic Design

- Easy to carry

High Sensitivity Wind Rotor

- 6 vanes high sensitivity wind rotor
- Low friction bearing technology

Large Backlit Display

- Easy-to-read large digital display
- Backlit display for clarity

Model	VMA-1
Wind Speed Measurement Scope	0~12
Accuracy of wind-speed measurement	± (5%rdg+0.5)
Accuracy of temperature measurement	±2 °C
Wind Scale Accuracy	±1
Wind-speed resolution	0.1 m/s
Temperature resolution	0.1 °C
Sampling rate	500 ms
Power	1.5V AAx3
LCD size	32x26 mm
Dimensions	164x57x30 mm
Weight	95 g