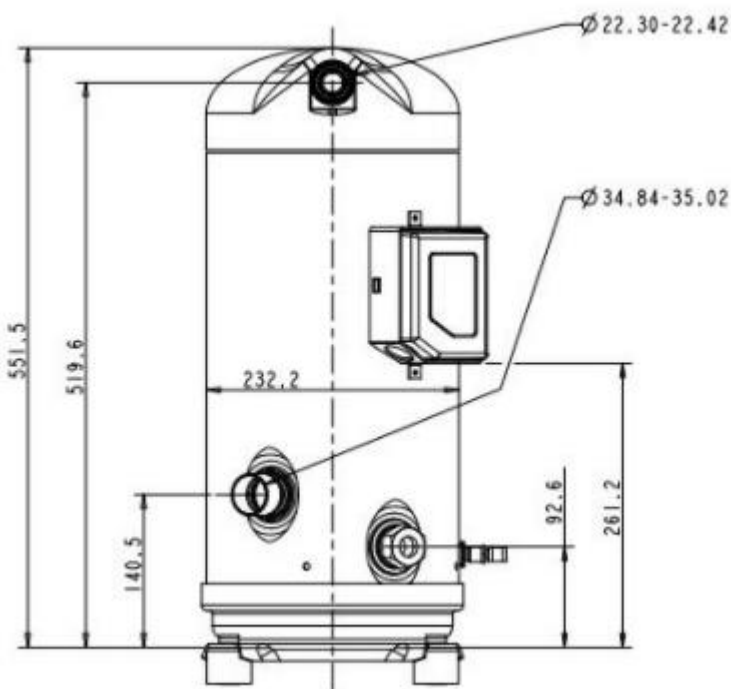
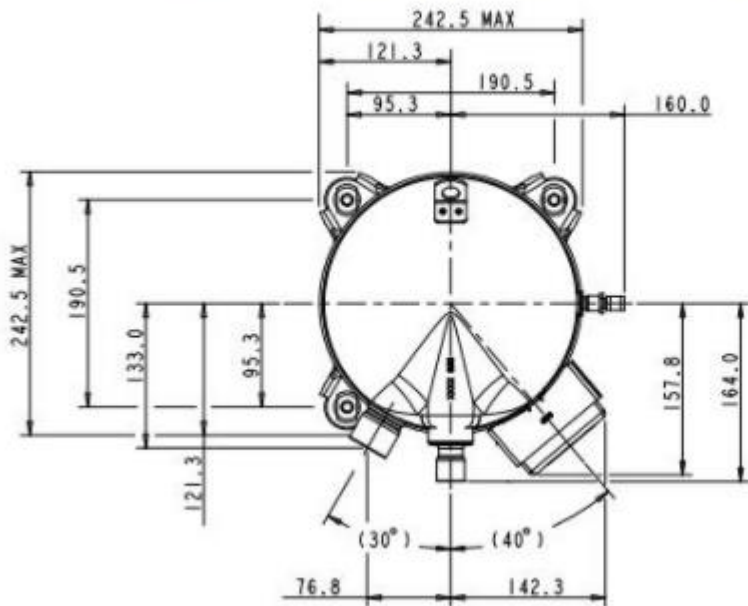


ZR160 - 190, ZP154 - 182 TF*



Displacement @ 50 Hz, cu.m/h	43.3
Length/Width, mm	264/285
Height, mm	552
Net Weight, kg	66.2
Stub Suction, inch	1 3/8
Stub Discharge, inch	7/8
Oil Quantity, l	3.38
Base mounting (hole dia), mm	190 x 190

Accessories Included	
Discharge Temperature Protection	ASTP Therm-O-Disc In Scroll
Enclosure Class	IP21
Oil Charge	
Oil Service Valve	Schraeder Valve
Check Valve (NRV)	Discharge Low Leak Check Valve