

12	11	10	9	8	7	6	5	4	3	2	1
PART NO.	MODEL NUMBER	A ± 3.0	B ± 3.0	C ± 3.0	D	DISCHARGE FITTING	SPECIFICATIONS				
							ES NO.	DESCRIPTION	ES92-155 CONVERSION-METRIC		
497-0875-00	ZB30/38/45KO(E)-***-524	437.7 [17.23]	409.6 [16.13]	OMIT	124.7 [4.91]	E					
497-0875-01	ZB48KO(E)-***-524	443.4 [17.46]	413.7 [16.30]	OMIT	128.7 [5.07]	F					
497-0875-02	ZB30/38KO(E)-***-558	437.7 [17.23]	409.6 [16.13]	91.3 [3.59]	124.7 [4.91]	E					
497-0875-03	ZB30/38KO(E)-***-558 ZB45KO(E)-***-558	437.7 [17.23]	409.6 [16.13]	77.2 [3.04]	124.7 [4.91]	E					
497-0875-04	ZB48KO(E)-***-558	443.4 [17.46]	413.7 [16.30]	77.2 [3.04]	128.7 [5.07]	F					

NOTES:

1. ALL TOLERANCES ±1.50 [0.060] UNLESS OTHERWISE SPECIFIED.

DUE TO ACCUMULATED ASSEMBLY TOLERANCES THE LISTED COMPONENTS MAY VARY FROM THE MOUNTING HOLES AS SHOWN BELOW:

2. SUCTION FITTING : ±3.0 [0.12]

3. DISCHARGE FITTING: ±3.0 [0.12]

2. TUBE ENDS MUST BE PLUGGED.

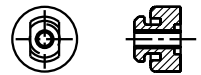
3. TORQUE T-BLOCK SCREWS TO 2.4-2.6 Nm [21-23 IN LBS].

4. FOR MORE INFORMATION SEE PRODUCT CATALOG.

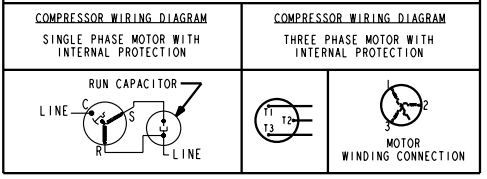
5. FULL HEIGHT OF COMPRESSOR DOES NOT INCLUDE MOUNTING SPACERS.

6. MOUNTING KIT:

GROMMET DUROMETER	4 FOOT KIT
35-45	527-0116-00



USE COPPER CONDUCTORS ONLY. USE MINIMUM 75° C WIRE FOR AMPACITY DETERMINATION. INTERNAL MOTOR PROTECTION - ALLOW TIME FOR RESET. OVERCURRENT PROTECTION DEVICE RATING AND TYPE MUST BE IN ACCORDANCE WITH REGULATORY AGENCY END PRODUCT APPROVALS - SEE SYSTEM NAMEPLATE. CRANKCASE HEATER, WHEN APPLIED, MUST BE CONNECTED ONLY TO ITS RATED VOLTAGE. TO CORRECT IMPROPER ROTATION OF THREE PHASE MODELS, SWITCH ANY TWO SUPPLY LINES. REFER TO THE APPLICABLE SYSTEM WIRING DIAGRAM.



ECN000148	2	ADDED CPC SYMBOL	07-27-11	FT	LJC	CA
ECN000218	1	CHANGE FROM 10 IN AL QUALITY 40 WHITE BINE BUSH	09-08-10	FT	LJC	SA
ECN001009	0	RELEASED -00 TO -04	06-15-09	FT	LJC	SA
ENG NOTICE NO.	REV. NO.	REVISIONS	DATE	BY	CHKD	APPD
0						

EMERSON
Climate Technologies

Capacitor

INTERPRET PER ASME Y14.2M-1994 AND EMERSON CLIMATE TECHNOLOGIES, INC. DESIGN STANDARDS 02002-02. THIS DRAWING IS FOR PRODUCTION PURPOSES ONLY. CRITICAL PRODUCT CHARACTERISTICS UNLESS OTHERWISE SPECIFIED TOLERANCES ARE MILLIMETER OR INCH UNLESS OTHERWISE SPECIFIED PLACE ANGLE

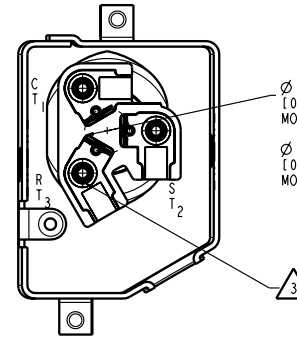
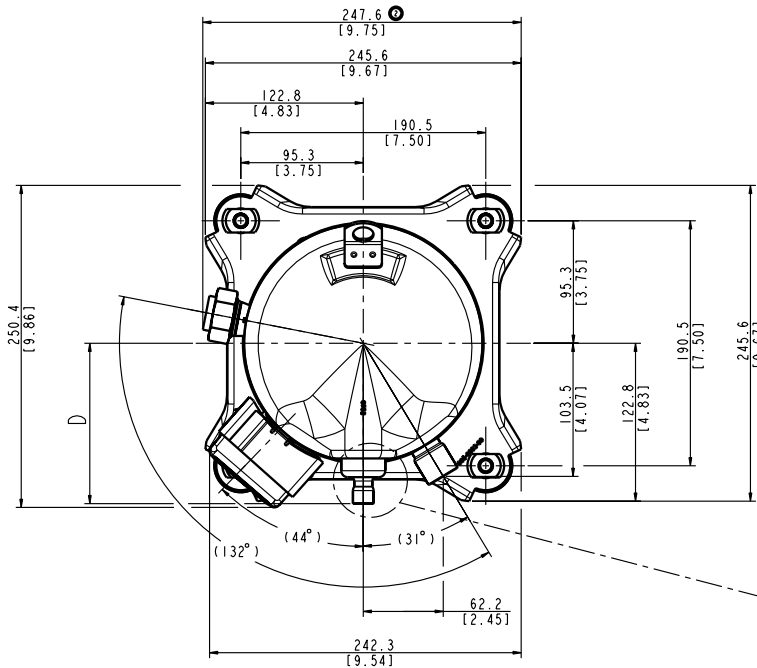
PROPERTY OF EMERSON CLIMATE TECHNOLOGIES, INC. THIS DRAWING AND INFORMATION CONTAINED HEREIN ARE THE EXCLUSIVE PROPERTY OF EMERSON CLIMATE TECHNOLOGIES, INC. AND SHALL BE RETURNED UPON DEMAND AND SHALL NOT BE REPRODUCED IN WHOLE OR IN PART, DISCLOSED TO ANYONE ELSE OR USED, WITHOUT THE WRITTEN CONSENT OF EMERSON CLIMATE TECHNOLOGIES, INC.

DESIGNED BY: N/A
DATE: 06-11-09
SCALE: 3:4
DATE FORMAT: MM-DD-YY

TITLE: REF DWG - WELD COMP ASSM
DRAWING NUMBER: 497-0875-00
SHEET 1 OF 2

COPYRIGHT EMERSON CLIMATE TECHNOLOGIES, INC. - CONFIDENTIAL

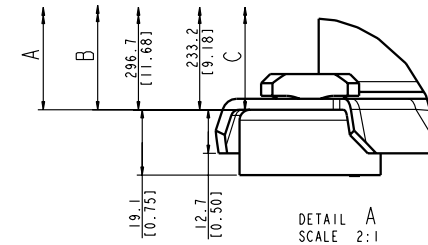
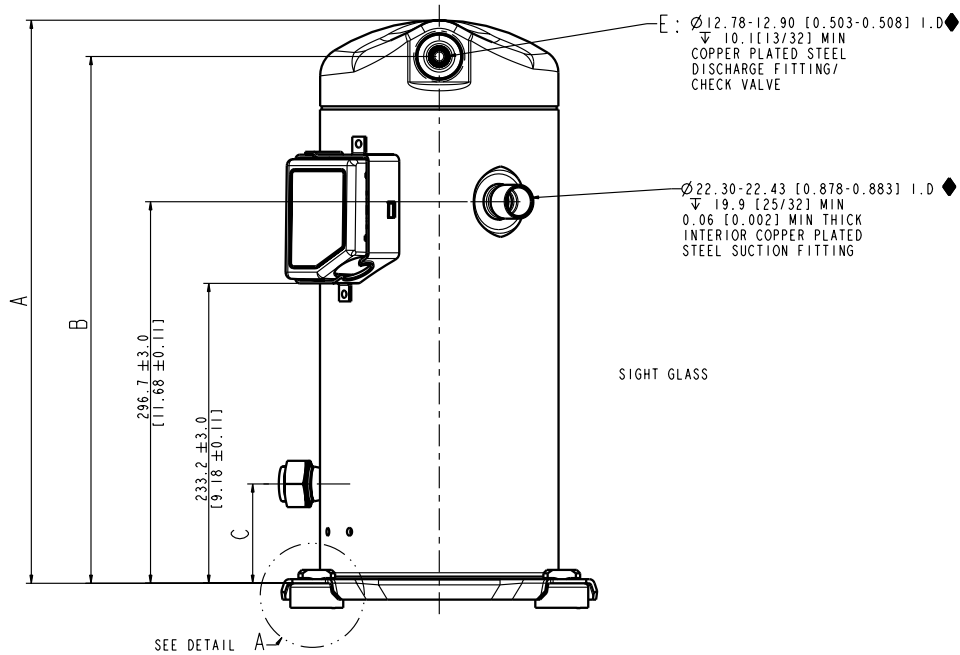
UNCONTROLLED - DO NOT MODIFY



Ø17.45 PIN CIRCLE
[0.687]
MODELS: TFD, TF7
Ø13.46 PIN CIRCLE
[0.530]
MODELS: PFJ, PFV, TF5

SCALE 3:2

F: Ø19.10-19.25 [0.75-0.76] I.D. ♦
▽ 16.9 [0.66] MIN
COPPER DISCHARGE FITTING/
STEEL CHECK VALVE



DETAIL A
SCALE 2:1

SEE DETAIL A

REV. NO.	DESCRIPTION	DATE	BY	APP'D.
2	UPDATED SIGHT GLASS ASSEMBLY	07-27-11	FT	LZC
1	SEE SHEET 1	09-08-10	FT	LZC
0	RELEASED - 00 TO -04	06-15-09	FT	LZC

ENG. NOTICE NO.	REV. NO.	REVISIONS	DATE	BY	APP'D.
0					

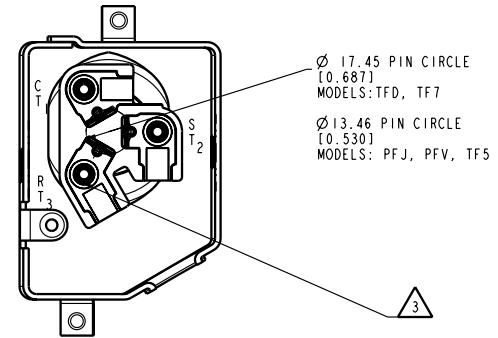
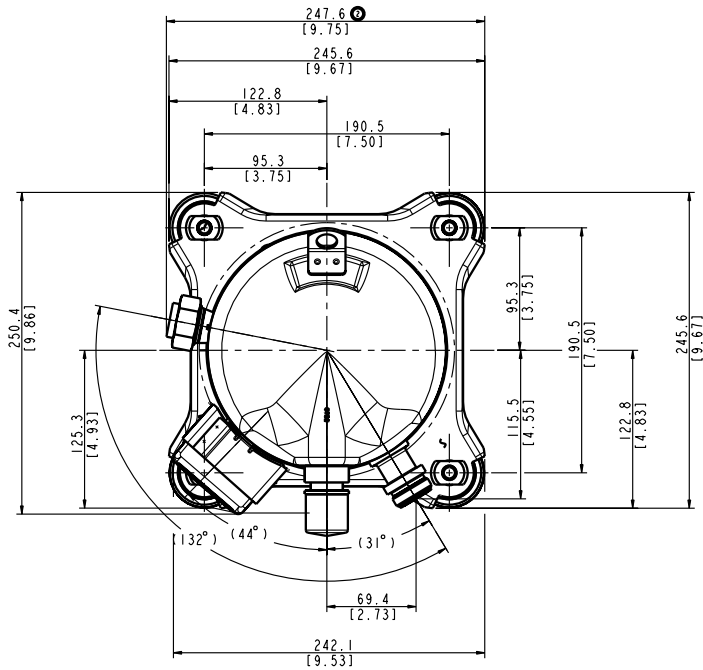
EMERSON CLIMATE TECHNOLOGIES, INC.		CONFIDENTIALITY NOTICE	
THIS DRAWING AND INFORMATION CONTAINED HEREIN ARE THE EXCLUSIVE PROPERTY OF EMERSON CLIMATE TECHNOLOGIES, INC. AND SHALL BE RETURNED UPON DEMAND AND SHALL NOT BE REPRODUCED IN WHOLE OR IN PART, DISCLOSED TO ANYONE ELSE OR USED, WITHOUT THE WRITTEN CONSENT OF EMERSON CLIMATE TECHNOLOGIES, INC.		DRAWN BY: SUPERSEDES DWG. NO. / REV. NO. 497-3543-00 / 29	
DATE: 06-11-09		SCALE: 3:4	
DATE FORMAT: MM-DD-YY		DATE: 06-11-09	
TITLE: REF DWG-WELD COMP ASSM		DRAWING NUMBER: SHEET 2 OF 2	
497-0875-00		6	



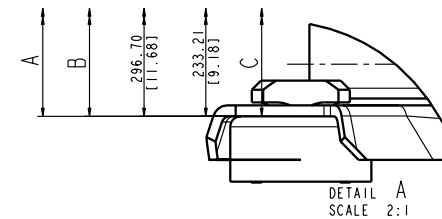
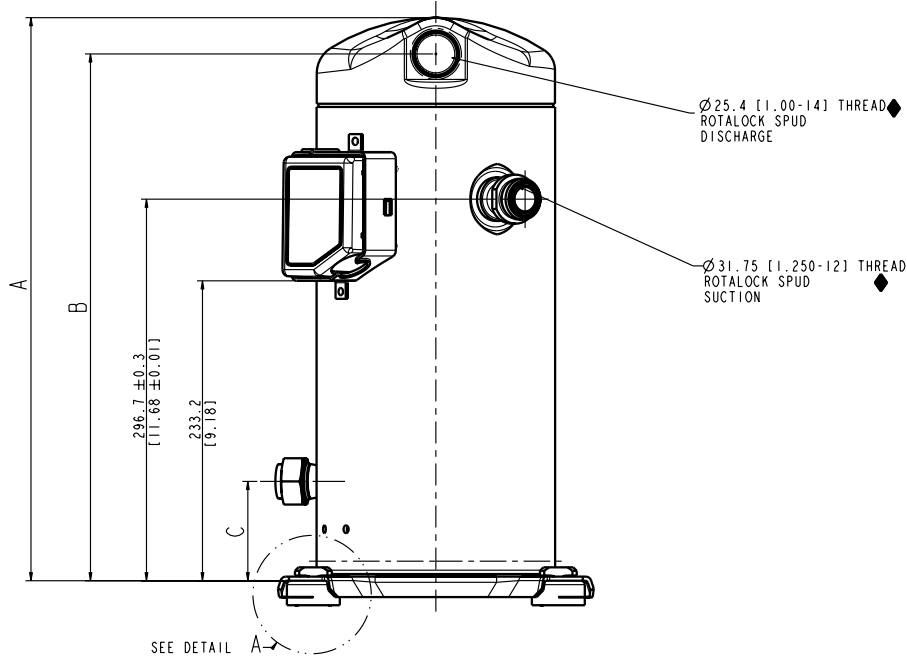
INTERPRET PER ASME Y14.2M-1994 AND EMERSON CLIMATE TECHNOLOGIES, INC. DESIGN STANDARDS DIVISION. THIS DRAWING IS THE PROPERTY OF EMERSON CLIMATE TECHNOLOGIES, INC. UNLESS OTHERWISE SPECIFIED DIMENSIONS ARE IN INCHES. UNLESS OTHERWISE SPECIFIED TOLERANCES ARE AS FOLLOWS: FINISH: ANGULAR: 30°

UNCONTROLLED - DO NOT MODIFY

COPYRIGHT EMERSON CLIMATE TECHNOLOGIES, INC. - CONFIDENTIAL



TERMINAL BOX LAYOUT OPTIONS
TERMINAL BOX COVER NOT SHOWN
SCALE 3:2



ENG NOTICE NO.	REV. NO.	DESCRIPTION	DATE	BY	APP'D
ECN00140	2	UPDATED SIGHT GLASS ASSEMBLY	01-26-11	FY	LZC
ECN00018	1	SEE SHEET 1	09-21-10	FY	LZC
ECN001009	0	RELEASED	01-02-09	FY	LZC

INITIALS	DATE	SCALE	DATE FORMAT
N/A	07-02-09	3:2	MM-DD-YY

TITLE	DRAWING NUMBER	SHEET 2 OF 2
REF DWG - WELD COMP ASSM	497-0877-00	6

EMERSON
Climate Technologies

CopyRighted

INTERPRET PER ASME Y14.2M-1994 AND EMERSON CLIMATE TECHNOLOGIES, INC. DESIGN STANDARDS 000022-00. ALL RIGHTS RESERVED. THIS DRAWING IS THE PROPERTY OF EMERSON CLIMATE TECHNOLOGIES, INC. UNLESS OTHERWISE SPECIFIED DIMENSIONS ARE IN MILLIMETERS OR INCHES. DIMENSIONS IN PARENT SQUARES ARE ANGULAR ± 0.5°

CONFIDENTIALITY NOTICE
THIS DRAWING AND INFORMATION CONTAINED HEREIN ARE THE EXCLUSIVE PROPERTY OF EMERSON CLIMATE TECHNOLOGIES, INC. AND SHALL BE RETURNED UPON DEMAND AND SHALL NOT BE REPRODUCED IN WHOLE OR IN PART, DISCLOSED TO ANYONE ELSE OR USED, WITHOUT THE WRITTEN CONSENT OF EMERSON CLIMATE TECHNOLOGIES, INC.

UNCONTROLLED - DO NOT MODIFY